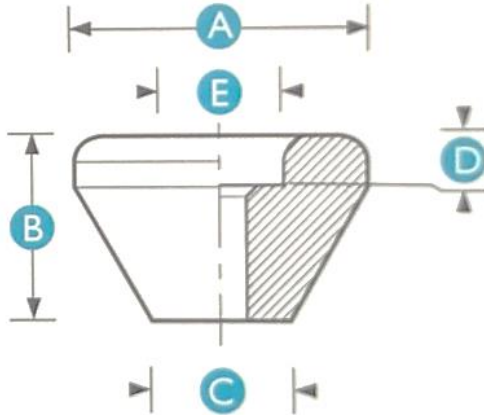


GW-252 Female Duroplast Revolving Knob

Material

- Body: Duroplast, gloss black
- Thread: Moulded clearance bore

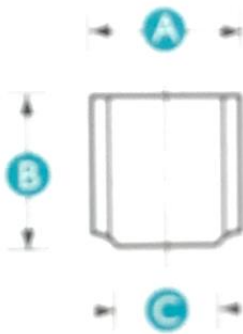


Part No.	A	B	C	D	E	Bore Size
GW-252	38	25	16	8	16	6 mm

GW-1440 Female Duroplast Mini-Wing Knob

Material

- Body: Duroplast, gloss black
- Insert: Brass



Part No.	A	B	C	Thread Size
GW-1440	17	15	12	M5